



EASY-STALL 45 & 100

DRINKING TROUGHS WITH FLOAT VALVE

Simple and sturdy, these stainless steel wall-mounted troughs combine ease of installation, hygiene and accessibility

The EASY-STALL 45 and 100 are specially designed for dairy cows but are also suitable for beef cattle and young calves.



Simple and sturdy with large access to the water for cattle

- ▶ The sturdy EASY-STALL trough range with seamless tub made of stainless steel is designed for cattle housed indoors.
- ▶ The trough is inclined forward to offer the cattle a larger and more comfortable access to the water. One or two drinking places according to the model.
- ▶ With a water reserve of 25 and 60 litres and a float valve with a flow rate of 32 l/mn. (at 3 bars), each EASY-STALL 45 and 100 is suitable for 10 dairy cows (or 15 nursing cows) and 20 dairy cows (or 30 nursing cows) respectively.

Easy to maintain for clean water all the time

- ▶ The EASY-STALL troughs are made of food-safe stainless steel.
- ▶ The outward-bent edge makes cleaning easy.
- ▶ The drain plugs allow quick evacuation of impurities.

Quickly to install and protect from frost

- ▶ Compact dimensions, reduced size.
- ▶ 8 mounting points on a wall or fence.
- ▶ Fitting ½" (15x21) M right.
- ▶ Optional anti-freeze protection.



Ref. 2425



Ref. 2426



32 l/mn. at 3 bars

	Maximum available water	Recommended height	Animals per trough
EASY-STALL 45	25 litres	70 to 90 cm	10 DC / 15 NC*
EASY-STALL 100	60 litres	70 to 90 cm	20 DC / 30 NC*

* DC = Dairy Cows
NC = Nursing Cows



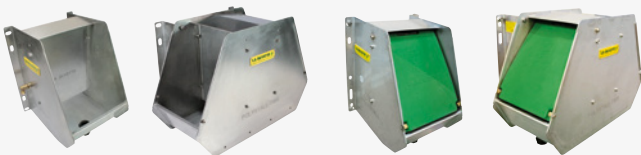
In detail



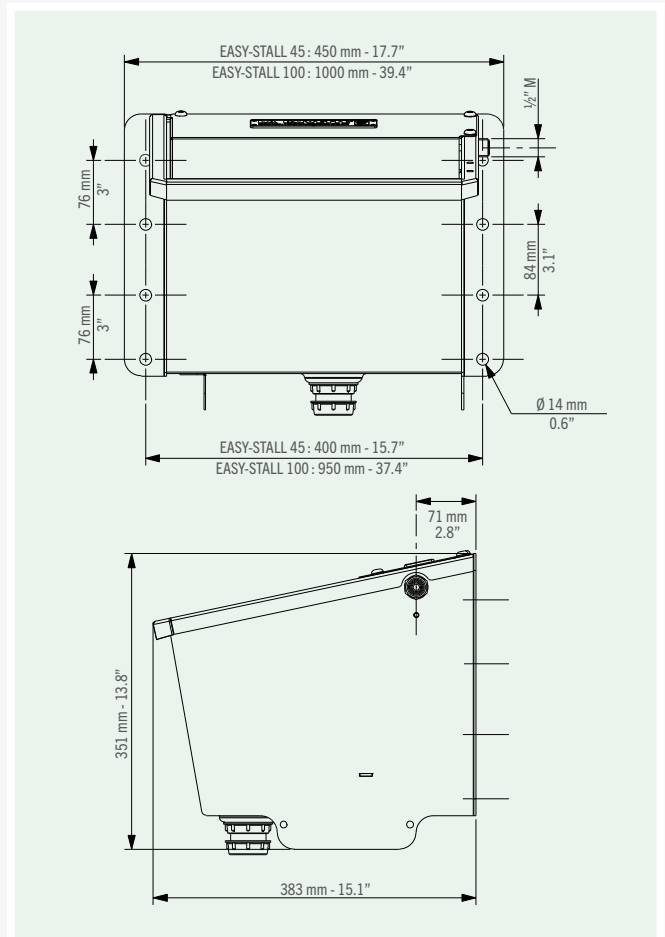
- 1 **Trough inclined forward for comfortable access to the water:**
EASY-STALL 45: **35 x 22 cm** (13.8" x 8.7"); **1 place**
EASY-STALL 100: **90 x 36 cm** (35.4" x 14.2"); **2 places**
- 2 **Sturdy design made of food-safe stainless steel.**
- 3 **Outward-bent edge with gently rounded contours** for animal safety.
- 4 **32 l/mn (at 3 bars) float valve** protected by a firmly fastened **stainless steel cover**. Easily adjustable water level.
- 5 Water supply $\frac{1}{2}$ " (15x21 mm) male from the right.
- 6 **Quick tool-less drain system** without getting your hands wet:
EASY-STALL 45: **$\varnothing 1\frac{1}{4}$ bulkhead plug**
EASY-STALL 100: **95 x 50 mm "VIDE-VITE" (Quick Drain)**
- 7 Installation possible of **anti-freeze power set** of "POLYSTALL" **80W/24V type** (see ACCESSORIES).
- 8 **4 wall fixing points**. 8 anchor points. Can be mounted on a fence (see ACCESSORIES).

REF.	DESCRIPTION
2425	EASY-STALL 45: Wall-mounted drinking trough with float valve EAN 13 : 3599150051064
2426	EASY-STALL 100: Wall-mounted drinking trough with float valve EAN 13 : 3599150051071

In the same product range: POLYSTALL



Technical Specifications



Accessories



REF.	DESCRIPTION
A317	Mounting bracket for fence
A333	Anti-freeze power set 80W/24V
C162	Heating cable, 22W/24V for water supply (3 m)
A614	Low-pressure valve (< 1 bar); 15 l/mn (at 0,2 bar)

